

**When Failure is Not an Option!**

# Sidewinder

360° Unlimited Tilt  
*of course with 360° unlimited pan*

Model Listing:

SW720  
SW720-ENG  
SW720A  
SW720A-ENG  
SW720A-MS  
SW720A-MS-ENG  
SW720AP  
SW720AP-MS  
SW720HV  
SW720HV-ENG  
SW720HVP

## Traffic management at its finest!

*Engineered specifically for ITS applications, WTI's Sidewinder is the definitive solution for the intelligent transportation industry. WTI's line of traffic cameras offers our customers powerful tools to keep traffic moving and keep your streets safer.*



[www.gotowti.com](http://www.gotowti.com)  
An ISO 9001:2000 Certified Company

## Features include:

- 0.05° preset repeatability accuracy.
- Continuous 360° rotation in both axes.
- 36X optical zoom lens with electronic image stabilization.
- Hydrophilic "self cleaning" glass window.
- Wide Dynamic Range (WDR).
- Day/night DSP camera technology.
- Optional camera enclosure pressurization.
- ENG Option - Locks Pan-Tilt motion.

2064 Eastman Avenue, Suite 113 • Ventura, CA 93003-7787  
toll free 866/gotowti (468.6984) • fax 805/339.0932

# Product Information - Sidewinder: Traffic - SD

The best choice for all traffic applications!

## WTI ~ Sidewinder : Traffic - SD

### Camera

Imager	1/4" color progressive scan, interline transfer CCD
Resolution	NTSC or PAL, 540 horizontal TV lines
Effective Pixels	NTSC @ 768 x 494, PAL @ 768 x 582
Lens	High durability 36X optical zoom, F1.4 with 12X digital zoom
Focal Length	3.3 mm~120 mm
S/N Ratio	>52dB
Iris	Auto or Manual Override
Shutter	Auto or Manual Override
Focus	Auto or Manual Override
Sync	Internal
IR Cut Filter	Auto or Manual (on/off)
Wide Dynamic Range	(WDR) On/Off
Sensitivity	0.5 lux typical down to 0.01 lux in IR Mode

### Electrical

Power Input	85-265 VAC or 24 VAC** +/- 6VAC
-------------	---------------------------------

\*\*24VAC requires Side Egress with WTI interface panel or external power supply

Power Consumption (with heater on)	50W
------------------------------------	-----

### Environmental

Ambient Temp. Limit	-29° F to +165° F (-34° C to +74° C) Conforms to NEMA 2.1.5.1 Std TS2 for traffic control systems
Humidity	100% relative humidity
Protection Rating	IP-67/NEMA-4X/ASTM-B117 (entire camera)

### Mechanical

Weight	14.5 lbs. (6.5 kg.)
Vibration (less lens)	3g (rms) random 5 to 1000 Hz, any axis
Air Contaminants	Withstands exposure to sand, dust, fungus, salt atmosphere, per MIL-E-5400T, paragraph 3.2.24.7, 3.2.24.8, and 3.2.24.9

### Positioner

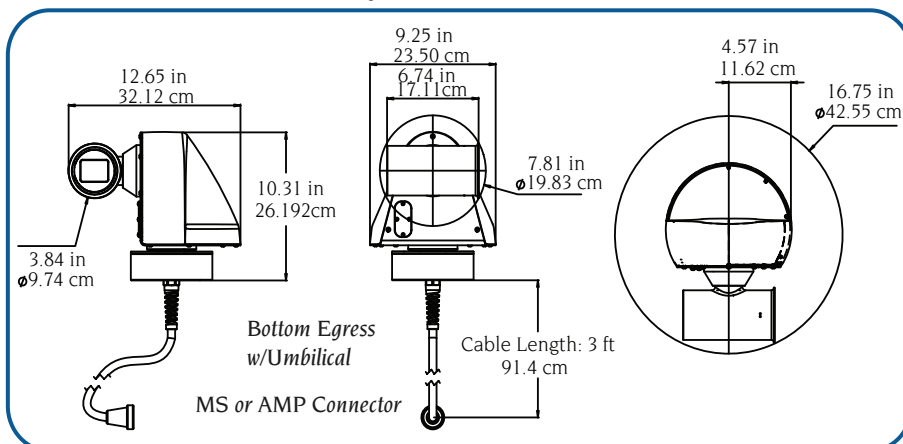
Pan/Tilt Drive	Pan Angle Range: continuous 360° Tilt Angle Range: continuous 360° Pan Speed: 100°/sec - proportional to zoom Tilt Speed: 100°/sec - proportional to zoom Pan/Tilt Encoder Resolution: 0.05° Pan/Tilt Repeatability: 0.05°
----------------	---

Preset	64 preset positions
Title Generation	2 lines of 24 characters for camera ID, and preset ID
Tours	8 tours of 32 presets with individual dwell settings per preset
Inverted Operation	Automatic camera image inversion

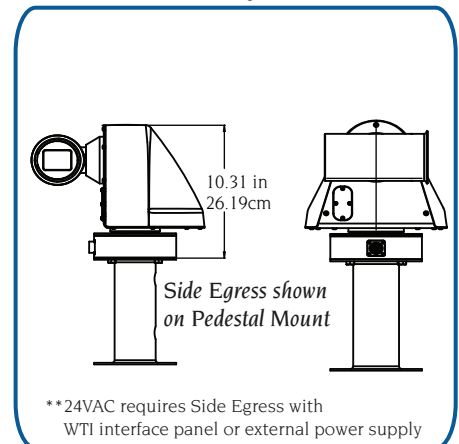
### Communications

Communication/Physical Layer	RS-422 or RS-485 standard
Protocol	Pelco-D, COHU
Firmware	Field upgradeable flash memory

Bottom Egress w/Umbilical Cable



Side Egress



MADE IN THE USA

Contact a WTI applications engineer to configure a system to perfectly suit your needs.

Due to Wireless Technology, Inc.'s continuing efforts to engineer the best product, that is most responsive to our customer's needs, the above specifications are subject to change.

