

When Failure is Not an Option!

MACH-V-SE

Series "Special Edition"

Wireless Ethernet Radio, H.264 Encoder and Ruggedized Switch

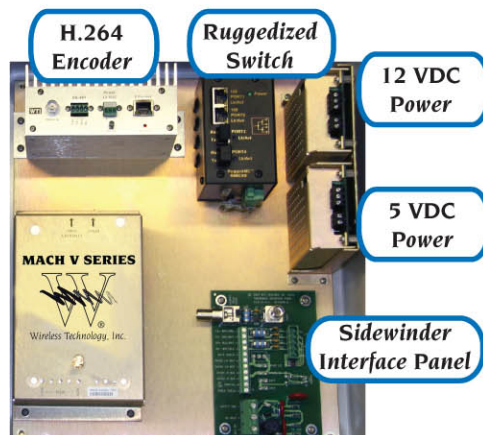


Traffic and Public Safety Video Monitoring!

MACH-V-se digital IP radio is the definitive solution for remote Ethernet connectivity. The MACH-V-se delivers exceptional performance through all climates, and is a simple, easy and inexpensive installation. The MACH-V-se is a practical alternative to trenching or recurring costs of leased lines.



www.gotowti.com



Features include:

- Up to 54 Mbps data throughput.
- Range up to 50 miles.
- Encrypted data transmission.
- WDS connectivity.
- H.264 encoder.
- Rugged 4-port switch.

WTI ● 2064 Eastman Avenue, Suite 113 ● Ventura, CA 93003-7787 ● toll free 866/gotowti (468.6984) ● fax 805/339.0932

R0211

Product Information : MACH-V-se "Special Edition"



Board Specifications

Network Standard	IEEE 802.11a, IEEE 802.3, IEEE802.3x
Ethernet	10/100 BaseT Ethernet, Auto MDI/MDI-
Network Architecture	Infrastructure, Ad-Hoc, MAC, CSMA/CA
Status Indicators	POWER, Wireless LAN (RF), Ethernet LAN, Receives Signal Strength (RSS)
Push Button	Reset to Default Button

Radio Specifications

Power Consumption	IEEE 802.11a, TX: ~1000 mA, RX: ~400 mA
Antenna Connector	N-type Female
Output Power	16 dBm (± 2 dB) @ 54 Mbps 17 dBm (± 2 dB) @ 48 Mbps 18 dBm (± 2 dB) @ 36 Mbps 19 dBm (± 2 dB) @ 6 Mbps
Receiver Sensitivity	IEEE 802.11a Sensitivity @ 10% Packet Error Rate 54 Mbps: -70 dBm, 48 Mbps: -71 dBm, 36 Mbps: -75 dBm, 24 Mbps: -79 dBm, 18 Mbps: -82 dBm, 12 Mbps: -84 dBm, 9 Mbps: -86 dBm, 6 Mbps: -87 dBm
Modulation	IEEE 802.11a (OFDM), 48/54 Mbps (QAM-64), 24/36 Mbps (QAM-16), 12/18 Mbps (QPSK), 6/9 Mbps (BPSK)
Operating Frequency	USA (FCC): 4.950, 4.960, 4.970 GHz , 5.15GHz ~ 5.25GHz, 5.25GHz ~ 5.35GHz, 5.47 GHz~ 5.725 GHz, 5.725 GHz ~ 5.825 GHz Europe (ETSI): 5.15 GHz ~ 5.35 GHz, 5.47 GHz ~ 5.725GHz Japan (TELEC): 5.15 GHz ~ 5.25 GHz

External AC Power Adapter

Input Voltage	85-264 VAC
Line Frequency	50/60 Hz

Environmental

Operating Temperature	-40° C to 70° C (-40° F to 158° F), 10 to 90% (non-condensing)
-----------------------	---

Dimensions

Weight	15 lbs.
Size	13" W X 15" H X 6.5" D



Wireless Technology, Inc.

LED Definition

Power	On (red)	Power on
	Off	No power
RF (WLAN)	On (yellow)	Connected
	Off	Not connected
	Blinking (green)	Connected and transmitting
LAN	On (green)	Connected
	Off	Not connected
	Blinking (green)	Connected and transmitting
Received Signal Strength Indicator (RSSI)	Blinking left to right	Not connected (scanning for AP)
	On	Connected, indicating Received Signal Strength.
		5 LEDs: > 80% (-68 dBm)
		4 LEDs: > 60% (-75 dBm)
		3 LEDs: > 40% (-82 dBm)
		2 LEDs: > 20% (-88 dBm)
		1 LED: > 3% (-94 dBm)
		0 LEDs: No Signal (-95 dBm)

Software Specifications

Bridge Features

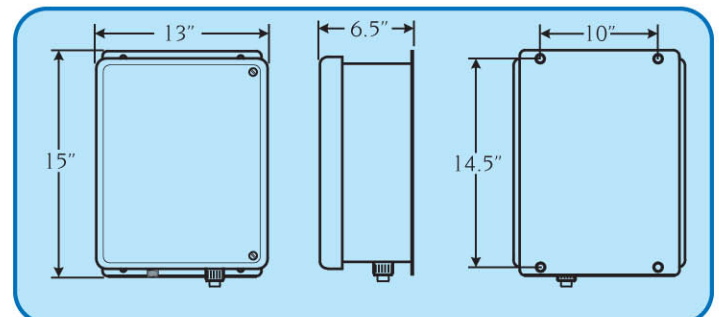
- Universal Bridging
- MAC Address Cloning
- RTS Threshold/Fragmentation Threshold
- Infrastructure or Ad-Hoc Mode
- Non-IP Traffic Bridging

Security Features

- 64-Bit/128-Bit WEP Encryption
- WPA Personal Using TKIP or AES
- WPA Enterprise Using TKIP or AES
- 802.1x Authenticator
- Cisco LEAP Support
- MAC Address Filter

Management Features

- Web Access (Username/Password Protected)
- Static IP
- Automatic Device Discovery & Configuration
- SNMP v1, DHCP and PPPoE (Ethernet or Wireless)
- Firmware Upgrade via Web Browser
- Transmit Power Adjustment



Weatherproof NEMA-4X non-metallic enclosure provided with a mast mount bracket (2" diameter mast, minimum size).

MADE IN USA • Conforms to EIA-330-CCTV-A

Contact a WTI applications engineer to configure a system to perfectly suit your needs.

Due to Wireless Technology, Inc.'s continuing efforts to engineer the best product, that is most responsive to our customer's needs, the above specifications are subject to change.

R0211

Product Information : H.264 IP Video Encoder



www.gotowti.com
An ISO 9001:2000 Certified Company

www.gotowti.com
**WTI : C-MAX Ultra-Video
H.264 IP Encoder**

Features include:

- 25/30 fps at full D1 resolution.
- Selectable H.264, MPEG-4 SP, MJPEG compression with dual streaming.
- Digital input and output.
- Free 16-channel viewer software.
- Serial ports for P/T/Z control *(only when using free viewer software).*

Video Compression

Compression	H.264 Baseline / MPEG-4 SP / M-JPEG
Picture Resolution	Full D1 (720x480 NTSC, 720x576 PAL), CIF (352x240 in NTSC, 352x288 in PAL)
Bit Rate	28K ~ 6M bps
Image Frame Rate	30fps at full D1 resolution (NTSC); 25fps at full D1 resolution (PAL)

Video Input CVBS, 1.0Vp-p, 75 Ω

Serial Control RS-232 or RS-485

Network

Ethernet Port Ethernet(10/100 Base-T)
Protocol TCP, UDP, IP, HTTP, DHCP, PPPoE,
RTP, RTSP

External I/O

Rest Key Factory Default
LED Power Status

Software

Web Browser Microsoft Internet Explorer 6.0 +
SDK ActiveX control, C SDK
Security Password Protection: Configured by
the Administrator

Power

Power Requirement DC12V±10%, PoE (IEEE802.3af
compliant), Auto sensing / Auto
detection.
Power Consumption 3.8W

Temperature

Non-Operating -40° F to 185° F (-40° C to 85° C)
Operating 14° F to 122° F (-10° C to 50° C)

Humidity

10%~85% RH. 85% relative
humidity at 55° C

Dimensions

5" W x 2.5" H x 3.25" D
(12.7 W x 6.4 H x 8.3 D cm)

Weight

1.5 lbs. (0.7 kg)

MADE IN THE USA

Contact a WTI applications engineer to configure a system to perfectly suit your needs.

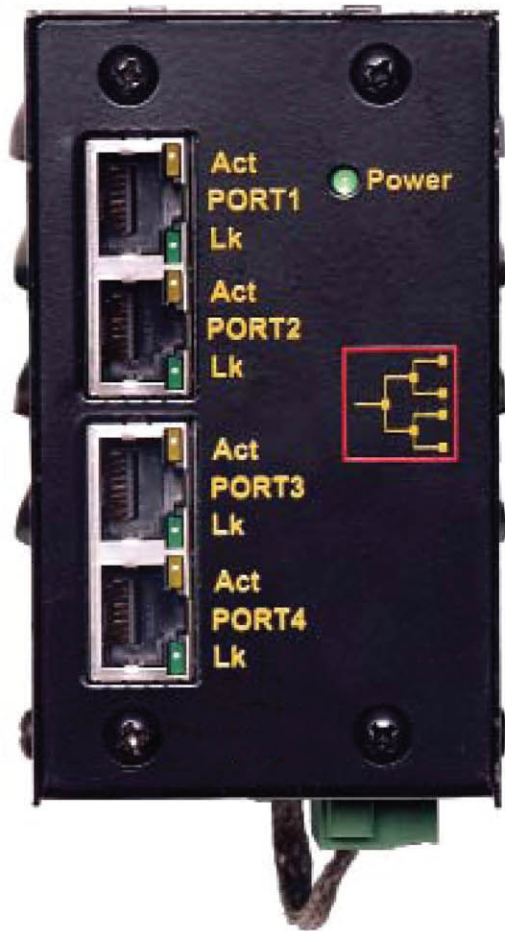
Due to Wireless Technology, Inc.'s continuing efforts to engineer the best product, that is most responsive to our customer's needs, the above specifications are subject to change.

2064 Eastman Avenue, Suite 113 • Ventura, CA 93003-7787 • toll free 866/gotowti (468.6984) • fax 805/339.0932

R1010

Product Information : 4-Port Ruggedized Ethernet Switch

www.gotowti.com



WTI's 4-port ruggedized Ethernet switch is specifically designed to operate reliably in electrically and climatically harsh environments. This unit is the intelligent solution for mission critical Ethernet networking applications.



www.gotowti.com

An ISO 9001:2000 Certified Company

4-Ethernet Ports with Single/Dual Fiber Optics

- 4 10/100TX ports
- Multimode and single mode optical transceivers
- Industry standard fiber optical connectors: LC, SC, ST, MTRJ
- Long haul optics allow distances from 20km to 90km

Universal Power Supply Options

- Input voltages of 24VDC, 48VDC, and (88-300VDC or 85-264VAC) for worldwide operability
- Integrated power supply
- Screw down terminal blocks ensure reliable maintenance free connections
- CSA/UL 60950 safety approved to +85°C

Designed for Harsh Environments

- Exceeds IEC 61850-3 and IEEE 1613 Standards for Communication Equipment in Electric Power Substations
- Exceeds NEMA TS-2 Standard for Traffic Control Equipment
- Operates over a temperature range of -40°C to +85°C without the use of fans for improved reliability
- 21 AWG galvanized steel enclosure and DIN or panel mounting options provide secure mechanical reliability

High Performance Ethernet Switching

- Full compliance with IEEE 802.3 and IEEE 802.3u Ethernet standards for universal interoperability
- Non-blocking, store and forward switching with only 10us latency means high network throughput
- Full duplex operation results in no collisions and deterministic network response and flow control via 802.3x pause frames results in no collisions or dropped packets

Simple Plug and Play Operation

- Automatic learning of up to 2048 MAC addresses
- Auto-negotiation on 10/100TX ports simplifies setup
- Auto-MDI/MDIX on all 10/100TX ports eliminates need for crossover cables
- LED indicators for link, activity, and speeds LED aids in field troubleshooting

MADE IN THE USA

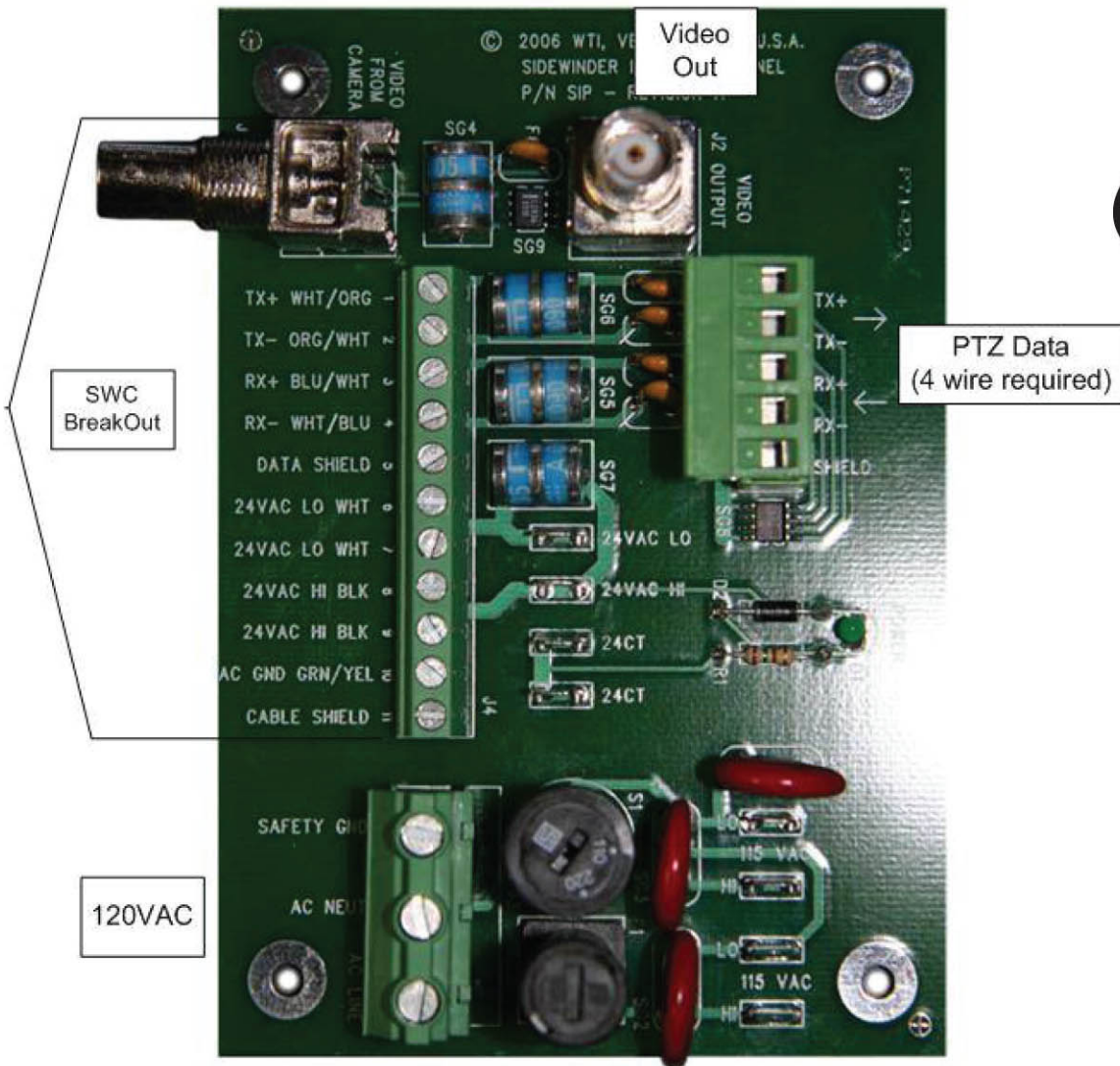
Contact a WTI applications engineer to configure a system to perfectly suit your needs.

Due to Wireless Technology, Inc.'s continuing efforts to engineer the best product, that is most responsive to our customer's needs, the above specifications are subject to change.

2064 Eastman Avenue, Suite 113 ● Ventura, CA 93003-7787 ● toll free 866/gotowti (468.6984) ● fax 805/339.0932

R0211

Product Information : Interface Panel



WTI's Interface Panel provides a wiring breakout for all video, P/T/Z data, and power. It includes embedded surge suppression to reduce the chances of damage to the camera.

Surge Protection

- Video; 2kW 6V
- RS-485 4-wire; 40 Amp 300 Watt
- 24VAC; 90V 10KA

Input Voltage: 115/230 VAC switch selectable

Output Voltage: 24 VAC at 5A

Phoenix screw terminal blocks

- For all camera connections
- For AC input connections
- Removable 5 Pin connector for data input

BNC IN and BNC OUT video connections

MADE IN THE USA

Contact a WTI applications engineer to configure a system to perfectly suit your needs.

Due to Wireless Technology, Inc.'s continuing efforts to engineer the best product, that is most responsive to our customer's needs, the above specifications are subject to change.

2064 Eastman Avenue, Suite 113 ● Ventura, CA 93003-7787 ● toll free 866/gotowti (468.6984) ● fax 805/339.0932