

**When Failure is Not an Option!**

# MACH-V

Series: Crossover DP  
"Aerial Link"



**WTI's MACH Series gives your system flexibility plus unmatched network security!**

WTI's MACH-V Crossover DP wireless Ethernet radio "Aerial Link" is the definitive solution for aerial platform video connectivity. The MACH-V Crossover "Aerial Link" will deliver exceptional performance through all climates and offers a simple, easy and inexpensive alternative to cabling video. Whether it's analog or digital video the MACH-V Series digital IP radios are a practical alternative that provide unparalleled performance.

WTI's MACH-V Crossover DP is designed for digital transmission of analog cameras (fixed or P/T/Z). The MACH-V Crossover DP "Aerial Link" converts a standard analog video signal into a MPEG-2, MPEG-4 or MJPEG digital signal. The digital signal is then transmitted and received by a remote MACH-V Crossover DP "Aerial Link." The remote unit then provides a digital video image which is viewable on a web browser or the video can be decoded back to analog for viewing with a traditional monitor. The MACH-V Crossover DP "Aerial Link" supports WTI's Sidewinder P/T/Z protocol and all other major manufacturer P/T/Z protocols. The MACH V Crossover DP "Aerial Link" facilitates the wireless connectivity of aerial mounted video and eliminates the burdensome task of plumbing cable through existing bundles.

## A Multitude Of Features

- 5.8 GHz, 802.11a, OFDM transmission.
- 54 Mbps data rate.\*
- Dual polarized – diversity patch antenna.
- WDS connectivity.
- Web browser setup.
- POE option.

**WTI**<sup>®</sup>  
www.gotowti.com



\*Lab tested theoretical data rate. Real world throughput with overhead consideration is 40Mbps (+).

WTI ● 2064 Eastman Avenue, Suite 113 ● Ventura, CA 93003-7787 ● toll free 866/gotowti (468.6984) ● fax 805/339.0932

R0813

# Product Information : MACH-V Series Crossover DP

## Board Specifications

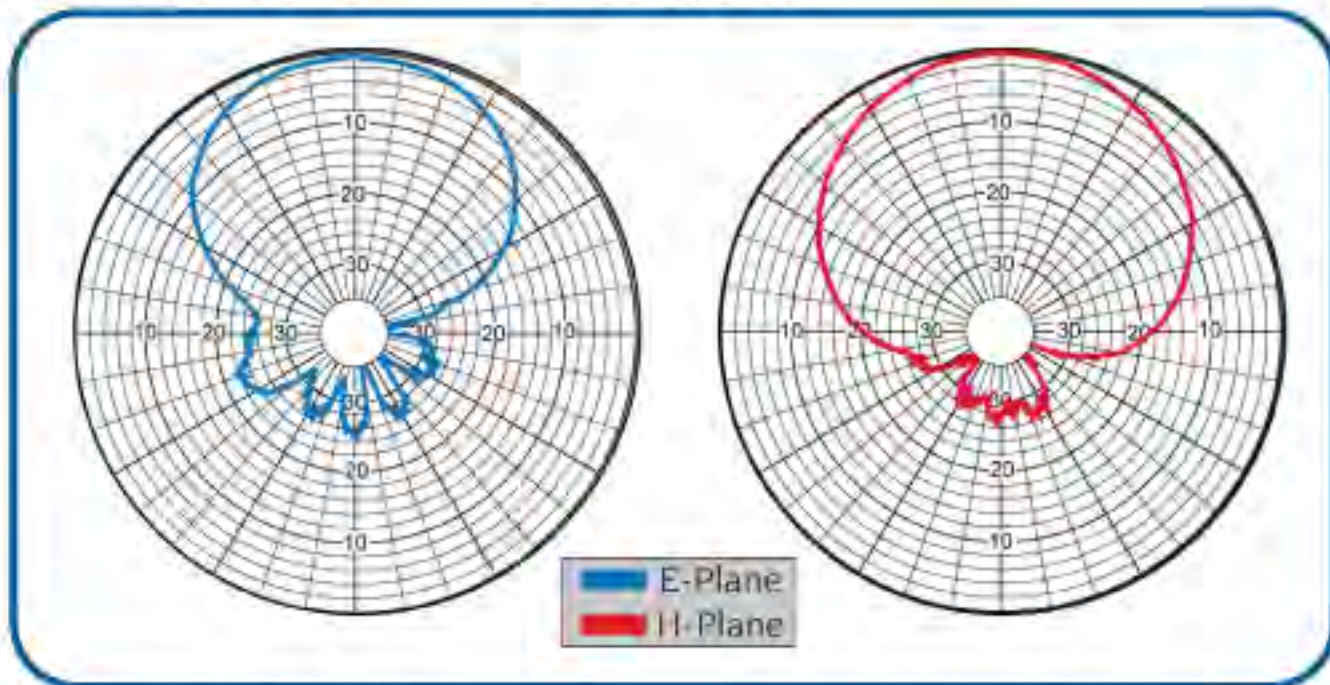
Network Standard	IEEE 802.11 a, IEEE 802.3, IEEE802.3x
Ethernet	10/100 BaseT Ethernet, Auto MDI/MDI-
Network Architecture	Infrastructure, Ad-Hoc, MAC, CSMA/CA
Status Indicators	POWER, Wireless LAN (RF), Ethernet LAN, Receives Signal Strength (RSS)
Push Button	Reset to Default Button

## Radio Specifications

Power Consumption	TX: ~1000 mA @ 5 VDC, RX: ~400 mA @ 5VDC
Output Power	600 mW
Estimated Throughput	20 Mb at 1,000 ft
Operating Frequency	USA/FCC: 5.15 GHz ~ 5.25 GHz, 5.25 GHz ~ 5.35 GHz, 5.47 GHz ~ 5.725 GHz, 5.725 GHz ~ 5.825 GHz Europe/ETSI: 5.15 GHz ~ 5.35 GHz, 5.47 GHz ~ 5.725 GHz Japan/TELEC: 5.15 GHz ~ 5.25 GHz

## Antenna Specifications

Gain dBi	8.5
VSWR	1.5:1
Polarization	Linear, H/V (Dual)
E-Plane	3 dB beamwidth, 62°
H-Plane	3 dB beamwidth, 62°
Front to Back Ratio	-25 dB typical



## Encoder/Decoder Specifications (Optional: requires larger NEMA enclosure)

Operating System	Embedded Linux
Video Input/Output	1 BNC
Video loop through	1 BNC*
Compression	MPEG 2/4, MJPEG
Compression Level	Superfine/Fine/Normal/Low
Frame Rate	30 FPS@ 704x480 NTSC 25 FPS@ 704x576 PAL
Resolution	NTSC: 704x480, 704x280, 352x240 PAL: 704x 576, 704x288, 352x288
LAN Port	Ethernet (10/100 base-T)
Interface	RJ45/RS232/RS485
Security	Password, IP filtering, Data Encryption
LED Indicators	Power, Network, Ready & Record
Available features	Audio, USB2.0 Backup, I/O Sensor,

\*Encoder only



MADE IN USA • Conforms to EIA-330-CCTV-A

Contact a WTI applications engineer to configure a system to perfectly suit your needs. Due to Wireless Technology, Inc.'s continuing efforts to engineer the best product, that is most responsive to our customer's needs, the above specifications are subject to change.

## AC Power Adapter

Input Voltage	85-264 VAC
Line Frequency	50/60 Hz
Power Output	5VDC, 2A



Wireless Technology, Inc.

## Environmental

Operating Temperature	-40° C to +70° C (-40° F to +158° F), 10 to 90% (non-condensing)
-----------------------	---

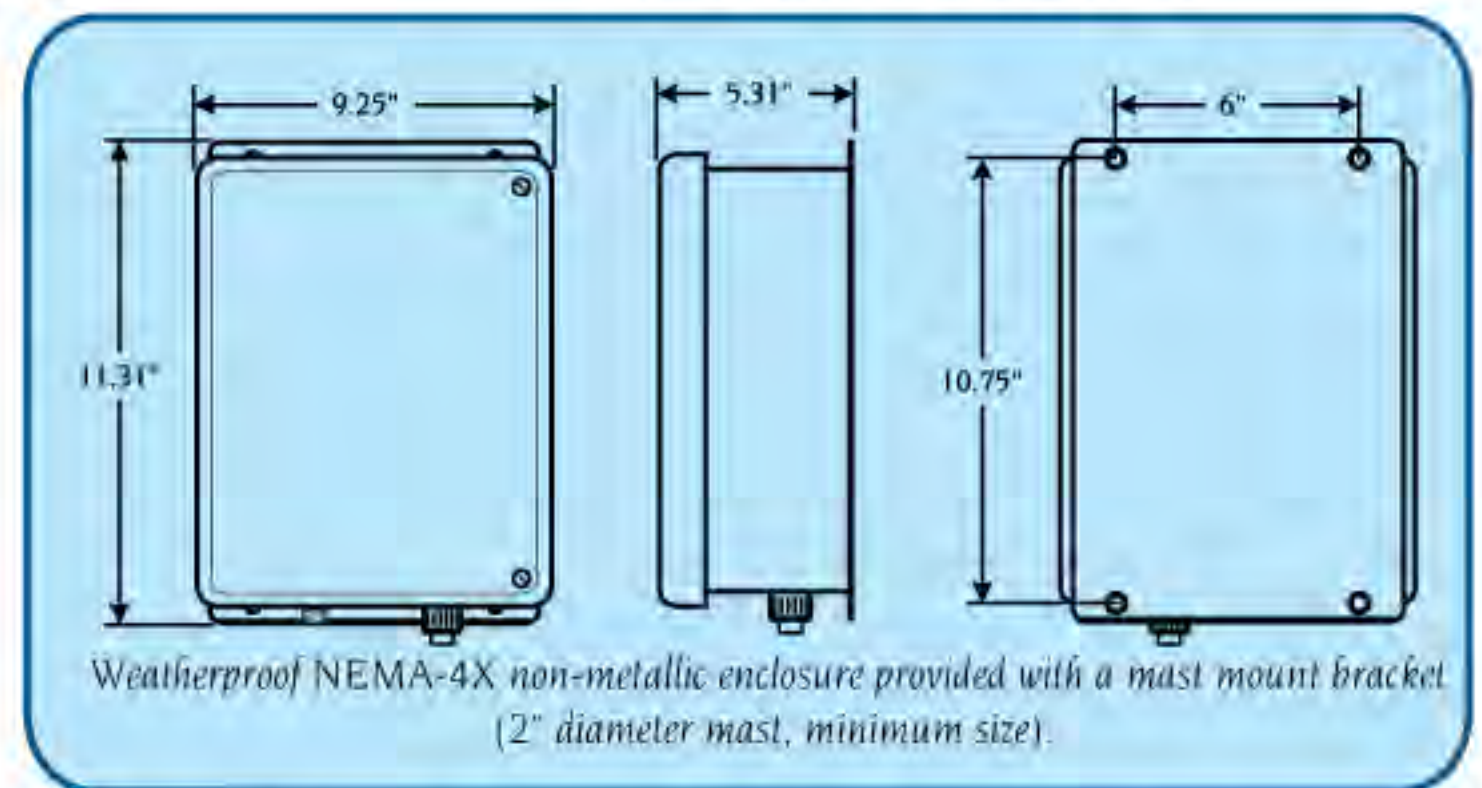
## LED Definition

Power	On (red)	Power on
	Off	No power
RF (WLAN)		
	On (yellow)	Connected
	Off	Not connected
	Blinking (yellow)	Connected and transmitting
LAN	On (green)	Connected
	Off	Not connected
	Blinking (green)	Connected and transmitting
Received Signal Strength Indicator (RSSI)		
	Blinking left to right	Not connected (scanning for AP)
	On	Connected, indicating Received Signal Strength.

5 LEDs: > 80% (-68 dBm)
4 LEDs: > 60% (-75 dBm)
3 LEDs: > 40% (-82 dBm)
2 LEDs: > 20% (-88 dBm)
1 LED: > 3% (-94 dBm)
0 LEDs: No Signal (-95 dBm)

## Dimensions (with standard NEMA)

Weight	10 lbs.
Size	9.25" W X 11.31" H X 5.31" D



Dimensions (with larger NEMA) Weight: 15 lbs. Size: 13" W X 15" H X 6.5" D

## Software Specifications

Bridge Features: Universal Bridging; MAC Address Cloning; RTS Threshold/Fragmentation Threshold; Infrastructure or Ad-Hoc Mode; Non-IP Traffic Bridging.

Security Features: 64-Bit/128-Bit WEP Encryption; WPA Personal Using TKIP or AES; WPA Enterprise Using TKIP or AES; 802.1x Authenticator; Cisco LEAP Support; MAC Address Filter.

Management Features: Web Access (Username/Password Protected); Static IP; Automatic Device Discovery & Configuration; SNMP v1, DHCP and PPPoE (Ethernet or Wireless); Firmware Upgrade via Web Browser; Transmit Power Adjustment.