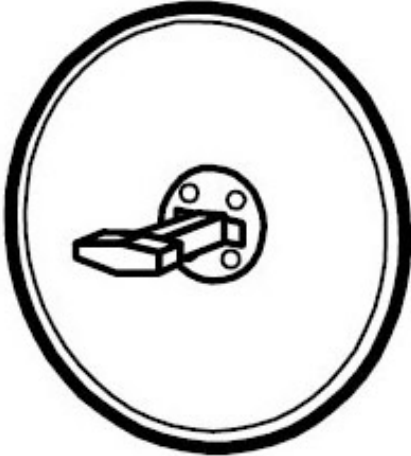




2064 Eastman Avenue, Suite 113, Ventura, CA 93003-7787
 Tel 805/339.9696 – Toll Free 866/gotowti – Fax 805/339.0932
www.gotowti.com – www.wirelesstech.com



MODEL DA-5824
Parabolic Dish Antenna

The rugged aluminum reflector and prime focus T-feed offer exceptional reliability at an affordable price. The 5.8 GHz antenna's optimized dipole feed delivers superior pattern performance and has a subreflector built directly into the feed.

These antennas provide excellent electrical performance mated with a rugged mechanical design to deliver a high value solution to your antenna requirements.

FEATURES

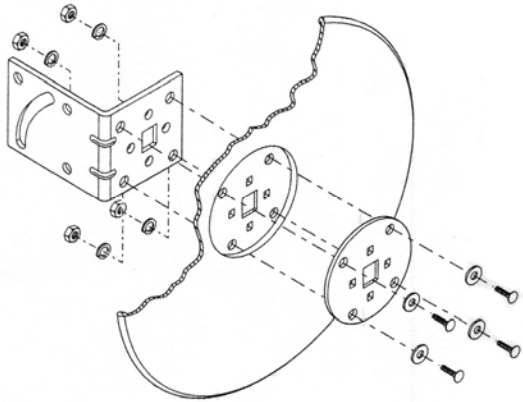
- Professional grade durability ensures installation longevity.
- Lightweight construction and integrated design minimizes installation time.
- Exceptional pattern performance ensures optimized link budgets.
- Antenna blends into the horizon.

ELECTRICAL		MECHANICAL	
Frequency	5700-5875 MHz	Output Connector	"N" type male/female
Gain	23 +/- 1 dBi	Mounting O.D. Pipe	1.25" - 2.375" (32-60mm)
Polarization Isolation	>25 dB	Vertical Tilt	
Side lobe Suppression	>18 dB	Top Pole Mount	0-66°
3dB Beamwidth	7°	Side Pole Mount	0-22°
10dB Beamwidth	13°	Wind Load @ -30° F	
Front/Back Ratio	>30 dB	Operational	80 mph, 43.4 lbs (19.7 kg)
VSWR Typical	1.8:1	Survivable	140 mph, 133 lbs (60.5 kg)
Pigtail Extension	RG8 13"	Reflector Type	Spun aluminum parabolic
		Reflector Material	Powder coated aluminum
		Reflector Color	Light gray
		Dimensions	16" x 10" (0.406 m x 0.254 m)
		Weight	
		Antenna	1.8 lbs. (0.81 kg)
		Mount	1.5 lbs. (0.68 kg)

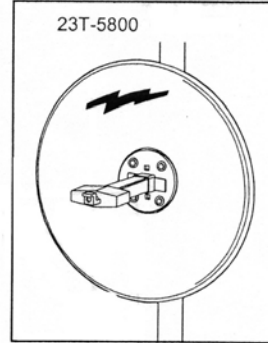
MADE IN THE USA • 2 Year Warranty

Due to Wireless Technology, Inc. (WTI) continuing efforts to engineer the best product that is most responsive to our customer's needs, the above specifications are subject to change without notice. All products are trademarks or registered trademarks of their respective holders. The use of these marks does not suggest any association between these companies.

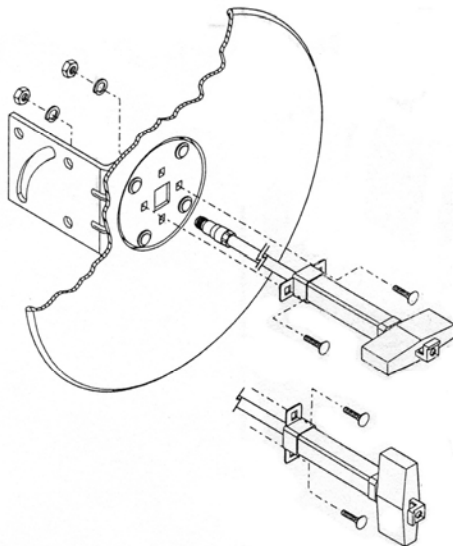
Mounting Instructions: Parabolic Dish Antenna – DA-5824
 Wireless Technology, Inc. (WTI)
www.gotowti.com



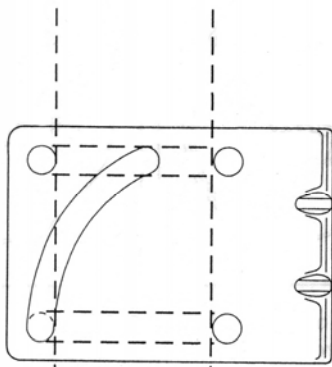
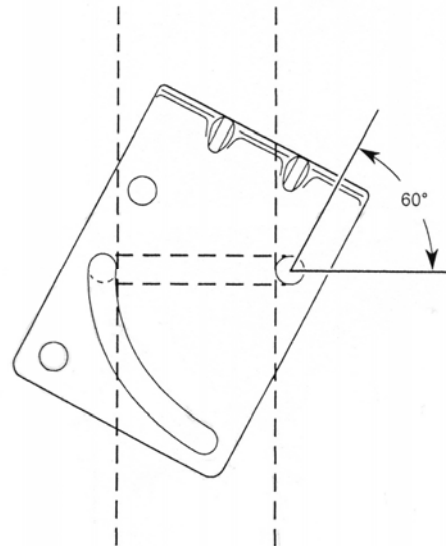
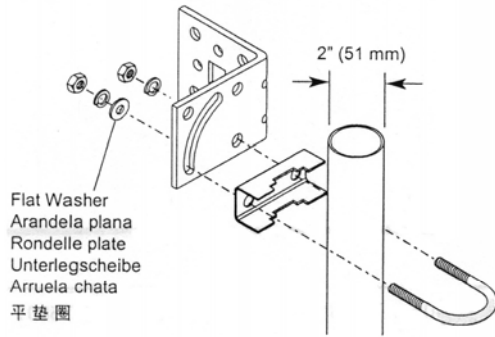
Frequency band
 Banda de frecuencia
 Bande de fréquences
 Frequenzband
 Faixa de frequência
 频段
 5725-5850 MHz



Antenna	Size
Antena	Tamaño
Antenne	Taille
Antenne	Größe
Antena	Tamanho
天线	尺寸
23T-5800	16 in (.406 m)



Mounting Instructions: Parabolic Dish Antenna – DA-5824
 Wireless Technology, Inc. (WTI)
www.gotowti.com



Use 2 bolts for strong wind conditions
 Utilizar 2 pernos para los vientos fuertes
 Utilisez 2 boulons en cas de vents forts
 Zur Sicherheit bei starkem Wind 2 Schrauben verwenden
 Use 2 parafusos para proteção contra ventos fortes
 使用两个螺栓以便抵御强风。

