

LAN, MAN, WAN, MACH-V?

A **LAN** (local area network) is a group of computers or network devices connected together within the same facility or property by lines or wireless links.

A **MAN** (metropolitan area network) is similar to a LAN but encompasses the connection of groups of LANs through a layer 2 routing device into a larger network that usually spans several buildings within the same city or municipality.

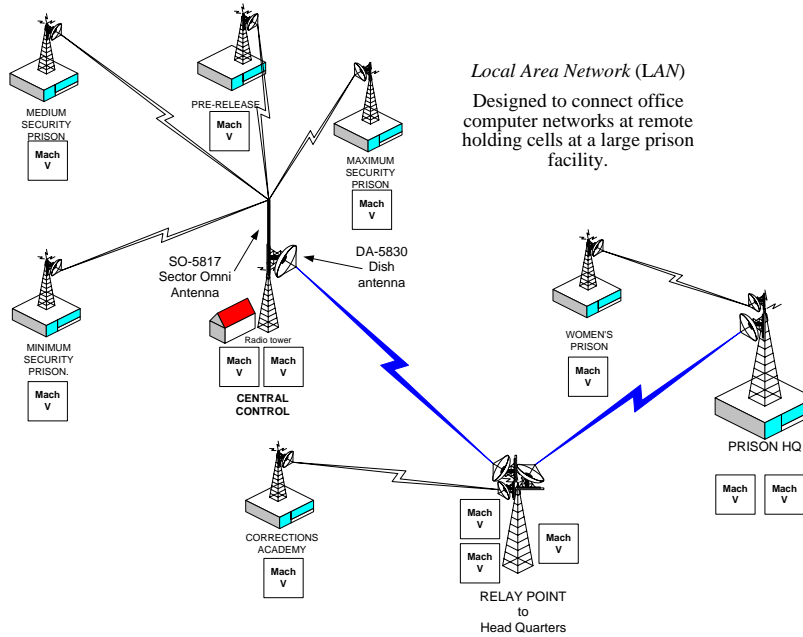
A **WAN** (wide area network), in comparison to a MAN, is not restricted to a geographical location, although it might be confined within the bounds of a state or country. A WAN connects several LANs, and may be limited to an enterprise (a corporation or an organization) or accessible to the public. The technology is high speed and relatively expensive. The Internet is an example of a WAN. WAN.



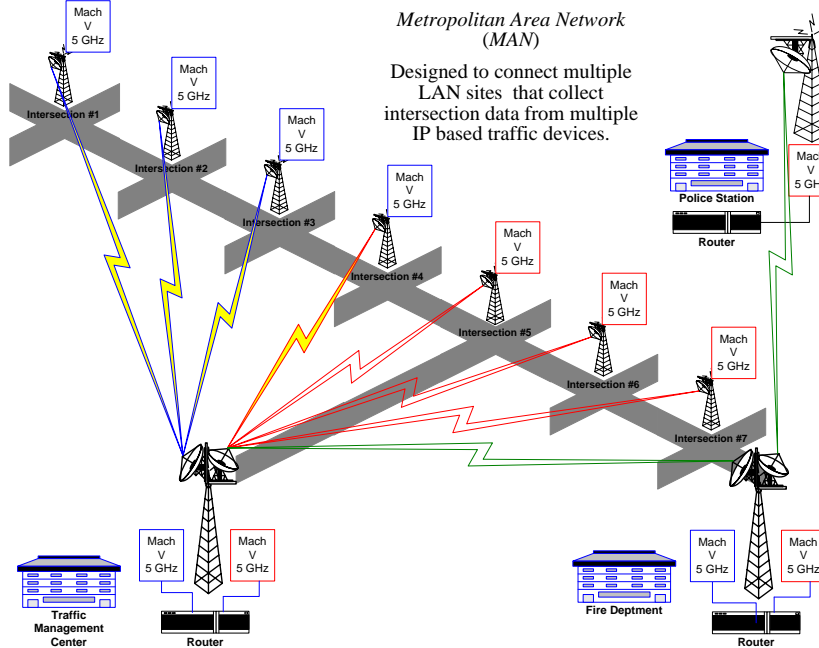
The **MACH-V** is a wireless solution that can provide connectivity to LAN, MAN or WAN networks. When distance, difficulty or cost prohibits a hardwire connection to these networks, the MACH-V is a viable and economic solution to this problem. The MACH-V is an 802.11a (5 GHz), OFDM, high-speed Ethernet radio capable of data throughputs of 48 Mbps. That's significant data speed when compared to a standard DSL service at 768 Kbps. Consider this; 48Mbps is equal to 48,000Kbps divide that by 768Kbps and that equals roughly 62. This number (62) could represent the number of clients a WISP (Wireless internet Service provider) could provide DSL-speed internet service through a single MACH-V bridge. Or, it could represent 62 employee workstations operating at DSL speed in a remote office connected by MACH V radios to the main office network. In both scenarios, the cost saved by eliminating the need of leased line and its recurring fees is beyond significant and the ROI is realized immediately. This is just a couple of many positive benefits a wireless connection can provide.

Below are real applications where the MACH-V will be used in a LAN, MAN and WAN network:

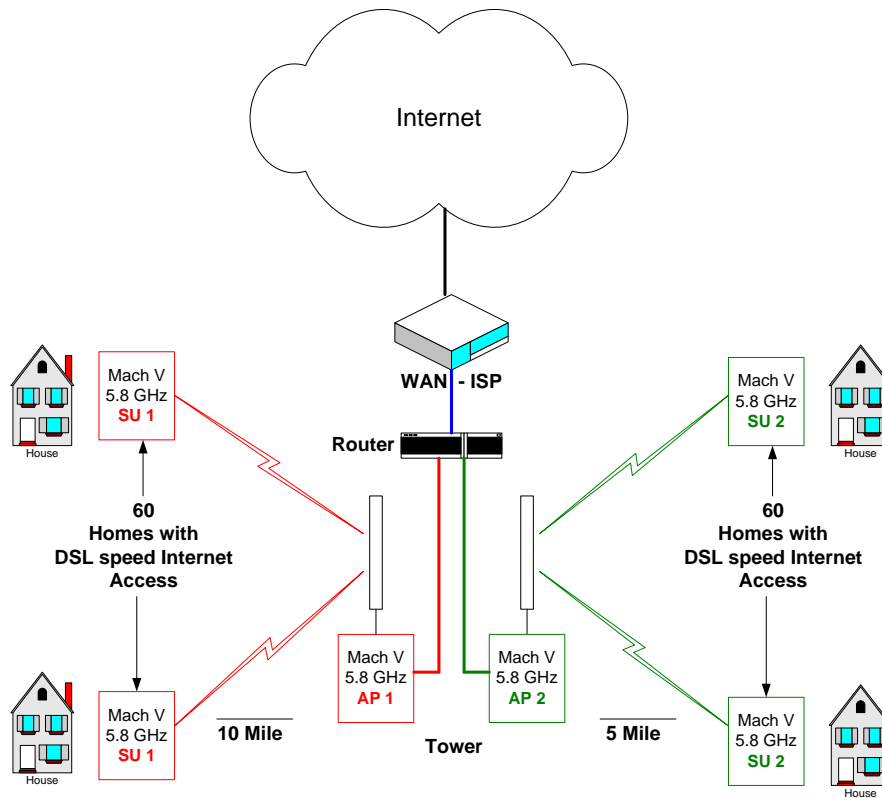
LAN:



MAN:



WAN:



~Eric Myers, Director of Wireless Products

~**~**~

WTI (Wireless Technology, Inc.)

Video Surveillance Products Dedicated to the Broadcast, Global Security and Transportation Markets!

www.gotowti.com • www.wirelesstech.com

~**~**~