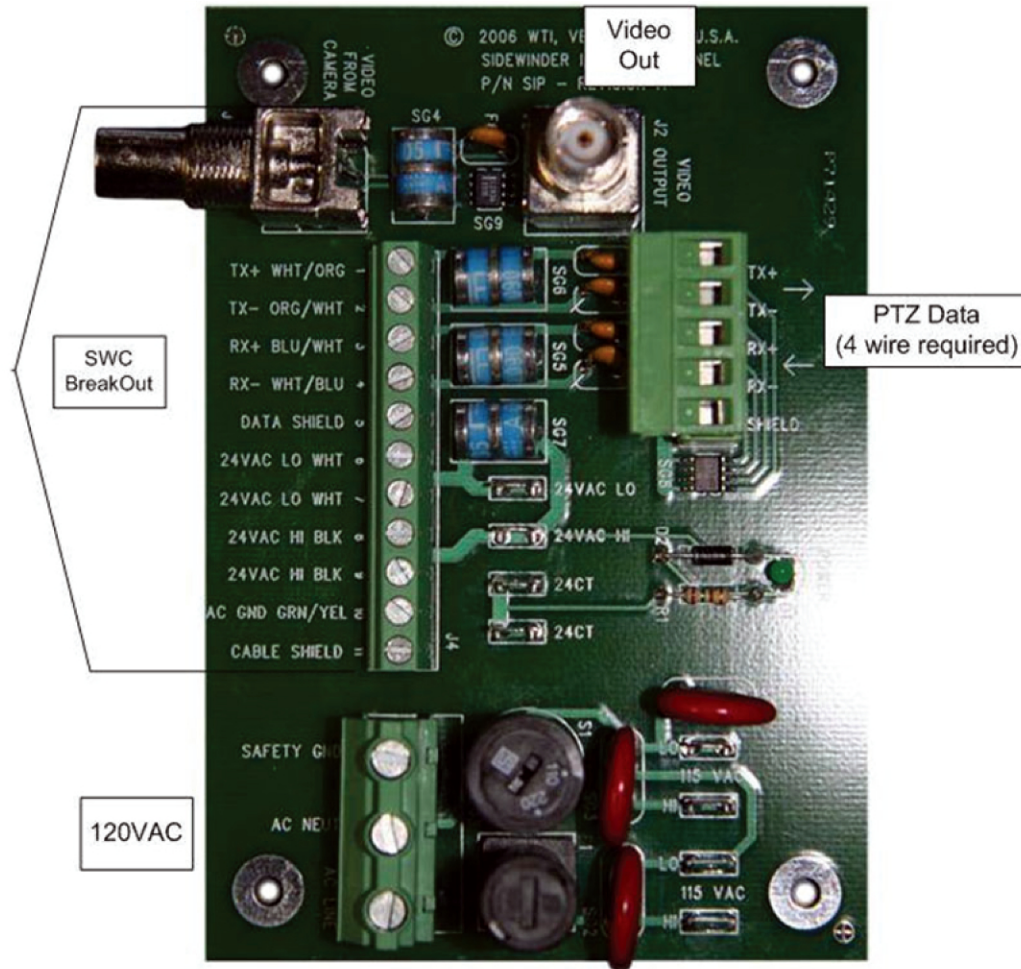


# Product Information - Interface Panel

## WTI ~ SWIBX

The WTI Interface Panel provides for a wiring breakout of all video, PTZ data, and power. It includes embedded surge suppression to reduce the chances of damage to the camera.



### Surge Protection

Video; 2kW 6V

RS-485 4-wire; 40 amp 300 watt

24VAC; 90V 10KA

Input Voltage: 115/230 VAC switch selectable

Output Voltage: 24 VAC at 5A

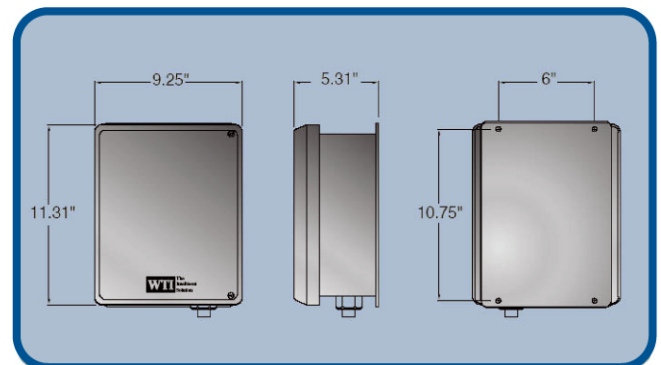
Phoenix screw terminal blocks

For all camera connections

For AC input connections

Removable 5 pin connector for data input

BNC IN and BNC OUT video connections



Enclosed in a certified NEMA 4x environment-proof housing.

MADE IN THE USA ● [www.gotowti.com](http://www.gotowti.com)

**Contact a WTI applications engineer to configure a system to perfectly suit your needs.**

Due to Wireless Technology, Inc.'s continuing efforts to engineer the best product, that is most responsive to our customer's needs, the above specifications are subject to change.

