

**When Failure is Not an Option!**

# Sidewinder

360° Unlimited Tilt  
of course with 360° unlimited pan



## For use in any application!

- |                |                  |                          |
|----------------|------------------|--------------------------|
| ⇒ Power plants | ⇒ Intersections  | ⇒ Government             |
| ⇒ Airports     | ⇒ Freeways       | ⇒ Military Applications  |
| ⇒ Parking      | ⇒ Parks          | ⇒ Water Treatment        |
| ⇒ Bridges      | ⇒ Arenas         | ⇒ Border Surveillance    |
| ⇒ High Rises   | ⇒ Sea Ports      | ⇒ Educational Facilities |
| ⇒ Tunnels      | ⇒ Off-Shore Rigs | ⇒ Financial Institutions |

## Features include:

- 0.05° preset repeatability accuracy.
- Continuous 360° rotation in both axes.
- 35X optical zoom lens with electronic image stabilization.
- Hydrophilic "self cleaning" glass window.
- Day/night DSP camera technology.
- Optional camera enclosure pressurization.
- ENG Option - Locks Pan-Tilt motion during vehicle travel.
- SDI Option - SMPTE 259M serial digital interface output.
- Optional H.264 with embedded industry standard controls, including NTCIP.



[www.gotowti.com](http://www.gotowti.com)  
An ISO 9001:2000 Certified Company

2064 Eastman Avenue, Suite 113 • Ventura, CA 93003-7787  
toll free 866/gotowti (468.6984) • fax 805/339.0932

# Product Information - Sidewinder

## WTI ~ Sidewinder

### Camera

Imager	1/4" color progressive scan, interline transfer CCD
Resolution	NTSC or PAL, 520 horizontal TV lines
Effective Pixels	NTSC @ 768 x 494, PAL @ 768 x 582
Lens	High durability 35X optical zoom, F1.4 with 10X digital zoom
Focal Length	3.4 mm ~ 120 mm
S/N Ratio	>52dB
Iris	Auto or Manual Override
Shutter	Auto or Manual Override
Focus	Auto or Manual Override
Sync	Internal or external
IR Cut Filter	Auto or manual (on/off)
Sensitivity	0.5 lux typical down to 0.01 lux in IR mode

### Electrical

Power Input	24 VAC ± 6 VAC
Power Consumption (with heater on)	50W

### Environmental

Ambient Temp. Limit	-29° F to +165° F (-34° C to +74° C) Conforms to NEMA 2.1.5.1 Std. TS2 for traffic control systems
Humidity	100% relative humidity
Protection Rating	IP-67/NEMA-4X/ASTM-B117 (entire camera)

### Mechanical

Weight	14.5 lbs. (6.5 kg.)
Vibration (less lens)	3g (rms) random 5 to 1000 Hz, any axis
Air Contaminants	Withstands exposure to sand, dust, fungus, salt atmosphere, per MIL-E-5400T, paragraph 3.2.24.7, 3.2.24.8, and 3.2.24.9

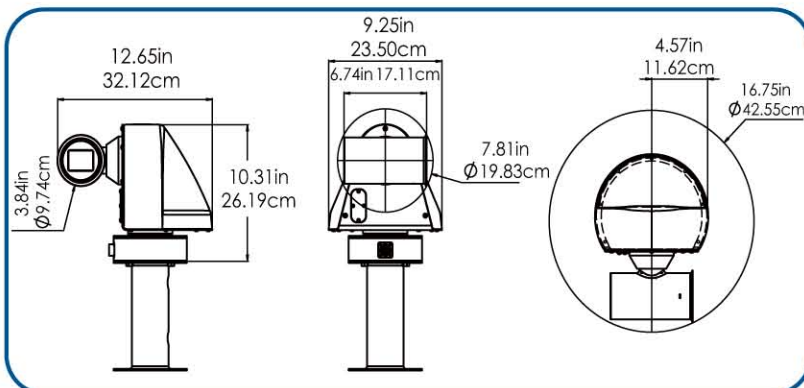
### Positioner

Pan/Tilt Drive	Pan Angle Range: continuous 360° Tilt Angle Range: continuous 360° Pan Speed: 100°/sec - proportional to zoom Tilt Speed: 50°/sec - proportional to zoom Pan/Tilt Encoder Resolution: 0.05° Pan/Tilt Repeatability: 0.05°
----------------	--

Preset	64 preset positions
Title Generation	1 line of 24 characters for camera ID, and preset ID
Tours	8 tours of 32 presets with individual dwell settings per preset
Inverted Operation	Automatic camera image inversion

### Communications

Communication/Physical Layer	RS-422 or RS-485 standard RS-232 for RackVision™ (specify on order)
Protocol	WTI proprietary industry standard or optional NTCIP
Firmware	Field upgradeable flash memory



MADE IN THE USA

Contact a WTI applications engineer to configure a system to perfectly suit your needs.

Due to Wireless Technology, Inc.'s continuing efforts to engineer the best product, that is most responsive to our customer's needs, the above specifications are subject to change.

