

**When Failure is Not an Option!**

# Sidewinder

H.264 Standard Definition



**For use in any application!**

- |                |                  |                          |
|----------------|------------------|--------------------------|
| ⇒ Power plants | ⇒ Intersections  | ⇒ Government             |
| ⇒ Airports     | ⇒ Freeways       | ⇒ Military Applications  |
| ⇒ Parking      | ⇒ Parks          | ⇒ Water Treatment        |
| ⇒ Bridges      | ⇒ Arenas         | ⇒ Border Surveillance    |
| ⇒ High Rises   | ⇒ Sea Ports      | ⇒ Educational Facilities |
| ⇒ Tunnels      | ⇒ Off-Shore Rigs | ⇒ Financial Institutions |



[www.gotowti.com](http://www.gotowti.com)  
An ISO 9001:2000 Certified Company

**Features include:**

- 0.05° preset repeatability accuracy.
- Continuous 360° rotation in both axes.
- 35X optical zoom lens with electronic image stabilization.
- Hydrophilic "self cleaning" glass window.
- Day/night DSP camera technology.
- Optional camera enclosure pressurization.
- H.264 video encoding.

2064 Eastman Avenue, Suite 113 ● Ventura, CA 93003-7787  
toll free 866/gotowti (468.6984) ● fax 805/339.0932

# Product Information : Sidewinder : H.264 Standard Definition

SW720-H.264-SD

## WTI ~ Sidewinder : H.264 Standard Definition

### Camera

Imager	1/4" color progressive scan, interline transfer CCD
Resolution	NTSC or PAL, 520 horizontal TV lines
Effective Pixels	NTSC @ 768 x 494, PAL @ 768 x 582
Lens	High durability 35X optical zoom, F1.4 with 10X digital zoom
Focal Length	3.4 mm ~ 120 mm
S/N Ratio	>52dB
Iris	Auto or Manual Override
Shutter	Auto or Manual Override
Focus	Auto or Manual Override
Sync	Internal or external
IR Cut Filter	Auto or manual (on/off)
Sensitivity	0.5 lux typical down to 0.01 lux in IR mode

### Electrical

Power Input	85-265 VAC
Power Consumption (with heater on)	50W

### Mechanical

Weight	14.5 lbs. (6.5 kg.)
Vibration (less lens)	3g (rms) random 5 to 1000 Hz, any axis
Air Contaminants	Withstands exposure to sand, dust, fungus, salt atmosphere, per MIL-E-5400T, paragraph 3.2.24.7, 3.2.24.8, and 3.2.24.9

### Environmental

Ambient Temp. Limit	-29° F to +165° F (-34° C to +74° C) Conforms to NEMA 2.1.5.1 Std TS2 for traffic control systems
Humidity	100% relative humidity
Protection Rating	IP-67/NEMA-4X/ASTM-B117 (entire camera)

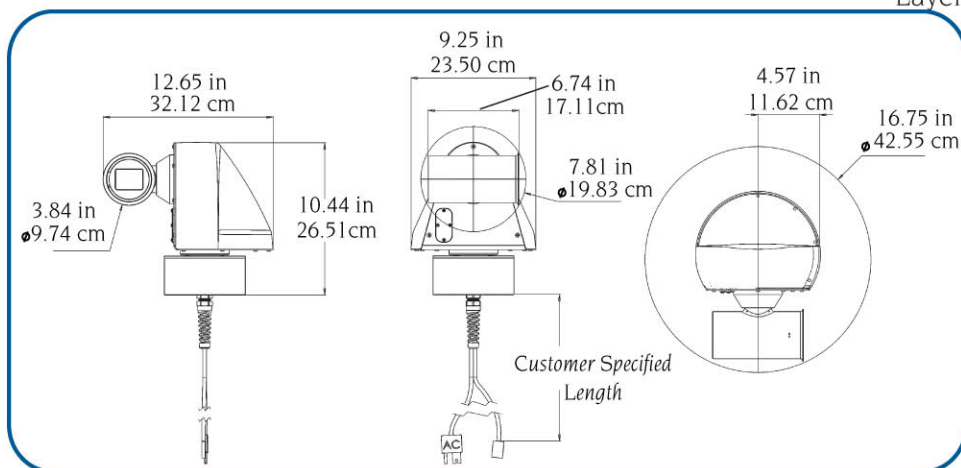
### Positioner

Pan/Tilt Drive	Pan Angle Range: continuous 360° Tilt Angle Range: continuous 360° Pan Speed: 100°/sec - proportional to zoom Tilt Speed: 50°/sec - proportional to zoom Pan/Tilt Encoder Resolution: 0.05° Pan/Tilt Repeatability: 0.05°
Preset Title Generation	64 preset positions 1 line of 24 characters for camera ID, and preset ID
Tours	8 tours of 32 presets with individual dwell settings per preset
Protocol Firmware	Pelco-D, COHU, NTCIP, WTI Field upgradeable flash memory

### H.264/MPEG4 Encoding Engine

Video Encoding	H.264 (High Profile / Level 3.1) or MPEG4
Image Resolution	D1, VGA, CIF, QCIF
Streaming Mode	CBR or VBR
Image Settings	GOP I, P
Frame Rate	30, 15, 7, 4, 2, 1
Data Rate	Adjustable from 64kb to 3Mb/sec
Connection Types	Uni-cast or multi-cast
Network Protocol Layers	RTP, RTSP, UDP, TCP, IP, IGMPv2, ICMP, ARP

The best choice for all traffic applications!



MADE IN THE USA



Contact a WTI applications engineer to configure a system to perfectly suit your needs.

Due to Wireless Technology, Inc.'s continuing efforts to engineer the best product, that is most responsive to our customer's needs, the above specifications are subject to change.

R0511