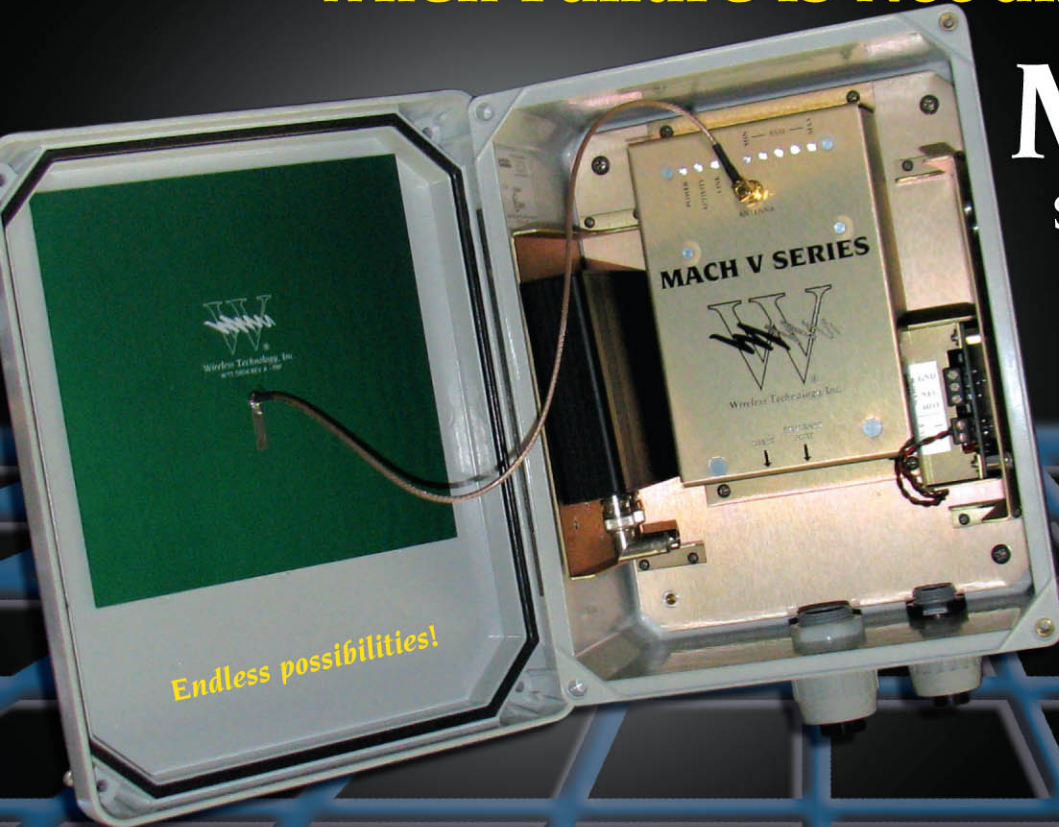


When Failure is Not an Option!

MACH-V

Series High Power Bridge
Wireless Ethernet Radio



WTI's MACH Series gives your system flexibility plus unmatched network security!

WTI's MACH-V digital IP radio is the definitive solution for remote Ethernet connectivity. The MACH-V delivers exceptional performance through all climates, and is a simple, easy and inexpensive installation. The MACH-V is a practical alternative to trenching or recurring costs of leased lines.



A Multitude Of Features

- Up to 54 Mbps data throughput.
- Range up to 50 miles.
- Encrypted data transmission.
- WDS connectivity.
- Web browser set up.
- POE option.

There are two MACH-V systems to choose from:

MACH-V

This model is designed for remote connectivity of IP cameras, megapixel cameras, NVRs or any device requiring Ethernet communication. The radio is flexible and can be configured to communicate in point-to-point, point-to-multipoint or WDS (semi-mesh) mode.

MACH-V Crossover

This model is designed for the digital transmission of analog cameras (fixed or P/T/Z). The MACH V Crossover converts a standard analog video signal into an MPEG-2, MPEG-4, or MJPEG format. The MACH V Crossover also supports all major manufacturers P/T/Z control protocols. The MACH V Crossover will facilitate the transition of analog systems to the most current digital technologies. The MACH V Crossover can be configured to communicate in point-to-point, point-to-multipoint or WDS (semi-mesh) mode.



Product Information : MACH-V Series High Power Bridge



Board Specifications

Network Standard	IEEE 802.11 a, IEEE 802.3, IEEE802.3x
Ethernet	10/100 BaseT Ethernet, Auto MDI/MDI-
Network Architecture	Infrastructure, Ad-Hoc, MAC, CSMA/CA
Status Indicators	POWER, Wireless LAN (RF), Ethernet LAN, Receives Signal Strength (RSS)
Push Button	Reset to Default Button

Radio Specifications

Power Consumption	IEEE 802.11a, TX: ~1000 mA, RX: ~400 mA
Antenna Connector	N-type Female
Output Power	16 dBm (± 2 dB) @ 54 Mbps 17 dBm (± 2 dB) @ 48 Mbps 18 dBm (± 2 dB) @ 36 Mbps 19 dBm (± 2 dB) @ 6 Mbps
Receiver Sensitivity	IEEE 802.11a Sensitivity @ 10% Packet Error Rate 54 Mbps: -70 dBm, 48 Mbps: -71 dBm, 36 Mbps: -75 dBm, 24 Mbps: -79 dBm, 18 Mbps: -82 dBm, 12 Mbps: -84 dBm, 9 Mbps: -86 dBm, 6 Mbps: -87 dBm
Modulation	IEEE 802.11a (OFDM), 48/54 Mbps (QAM-64), 24/36 Mbps (QAM-16), 12/18 Mbps (QPSK), 6/9 Mbps (BPSK)
Operating Frequency	USA/FCC: 5.15 GHz ~ 5.25 GHz, 5.25 GHz ~ 5.35 GHz, 5.47 GHz ~ 5.725 GHz, 5.725 GHz ~ 5.825 GHz Europe/ETSI: 5.15 GHz ~ 5.35 GHz, 5.47 GHz ~ 5.725 GHz Japan/TELEC: 5.15 GHz ~ 5.25 GHz

External AC Power Adapter

Input Voltage	85-264 VAC
Line Frequency	50/60 Hz
Power Output	5VDC, 2A

Environmental

Operating Temperature	-40° C to 70° C (-40° F to 158° F), 10 to 90% (non-condensing)
-----------------------	---

Dimensions

Weight	8 lbs.
Size	9.3" W X 11.3" H X 5.3" D

Weatherproof NEMA-4X non-metallic enclosure provided with a mast mount bracket (2" diameter mast, minimum size).



Wireless Technology, Inc.

LED Definition

Power	On (red)	Power on
	Off	No power
RF (WLAN)	On (yellow)	Connected
	Off	Not connected
	Blinking (green)	Connected and transmitting
LAN	On (green)	Connected
	Off	Not connected
	Blinking (green)	Connected and transmitting
Received Signal Strength Indicator (RSSI)	Blinking left to right	Not connected (scanning for AP)
	On	Connected, indicating Received Signal Strength.
		5 LEDs: > 80% (-68 dBm)
		4 LEDs: > 60% (-75 dBm)
		3 LEDs: > 40% (-82 dBm)
		2 LEDs: > 20% (-88 dBm)
		1 LED: > 3% (-94 dBm)
		0 LEDs: No Signal (-95 dBm)

Software Specifications

Bridge Features

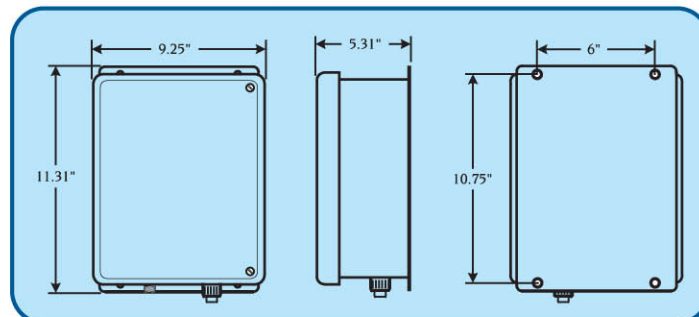
- Universal Bridging
- MAC Address Cloning
- RTS Threshold/Fragmentation Threshold
- Infrastructure or Ad-Hoc Mode
- Non-IP Traffic Bridging

Security Features

- 64-Bit/128-Bit WEP Encryption
- WPA Personal Using TKIP or AES
- WPA Enterprise Using TKIP or AES
- 802.1x Authenticator
- Cisco LEAP Support
- MAC Address Filter

Management Features

- Web Access (Username/Password Protected)
- Static IP
- Automatic Device Discovery & Configuration
- SNMP v1, DHCP and PPPoE (Ethernet or Wireless)
- Firmware Upgrade via Web Browser
- Transmit Power Adjustment



MADE IN USA • Conforms to EIA-330-CCTV-A

Contact a WTI applications engineer to configure a system to perfectly suit your needs.

Due to Wireless Technology, Inc.'s continuing efforts to engineer the best product, that is most responsive to our customer's needs, the above specifications are subject to change.