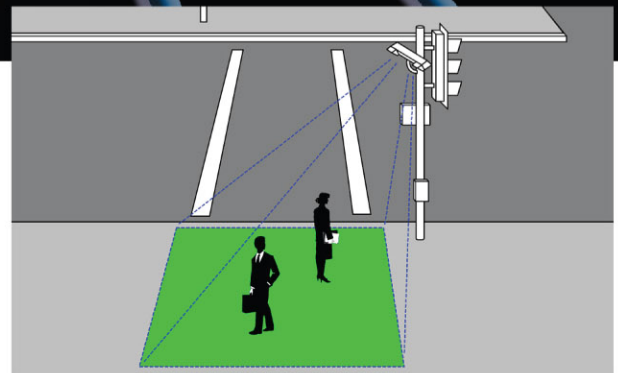


When Failure is Not an Option!

J-5 Pedestrian Sensor

SAFETY FIRST!

The J-5 provides a unique solution to the often competing demands of safeguarding pedestrians on the one hand and improving traffic flow, increasing fuel efficiency and reducing pollution on the other.



Features include:

- All-in-one, above-ground, camera and detector system.
- High-accuracy detection of pedestrians approaching and waiting to cross a road.
- Housing is weatherproof, providing exceptional performance in all climates and is unaffected by fog, rain or snow.
- Superior low-light performance.
- Reliable detection.
- Cost-effective solution for pedestrian traffic and surveillance.
- Quick and easy to install and configure.
- CE and RoHS compliant.



www.gotowti.com

An ISO 9001:2000 Certified Company

2064 Eastman Avenue, Suite 113 • Ventura, CA 93003-7787 • toll free 866/gotowti (468.6984) • fax 805/339.0932

R0710

Product Information : J-5 Pedestrian Sensor

WTI ~ J-5 Pedestrian Sensor

Stereo Performance

Sensor Mounting Height	10-16.5 Ft (3-5 M)
Waiting Area Range	3-30 Ft. (1-9 M)
On-Crossing Range	16-75 Ft. (5-23 M)
Min. Object Size	3.3 ft x 1.6 ft x 0.7 ft (1 M x 0.5 M x 0.2 M)
Object Speed	1-22 MPH (1-36 KPH)

Power Requirements

17-30 Volts AC or DC
3.0 Watts Nominal
4.5 Watts with Heaters On

Cameras

CMOS B/W VGA Sensor	
¼" Image Format	
Min. Illumination (3000K)	0.04 Lux @ f1.2
S/N Ratio	50 dB
Dynamic Range	60 dB

Custom Synchronization for Stereo Video

External Connectors

9 pin Bulgin Connector
3 wires Power and Safety Ground
2 wires RS485
4 wires, 1 common with 3 outputs
Optional Video Output BNC

Communications

RS-485 Half-Duplex
115 Kb/sec
Multi-drop Addressing

Environmental

Ambient Temperature	-29 F to 140 F (-34 C to +60 C)
Water and Dustproof Rating	IP-56
Humidity	100% relative humidity, noncondensing, per MIL-E-5400T paragraph 3.2.24.4

Regulatory

CE EN 55022, EN 61000-6-1, EN 60950
FCC Part 15, Class A
RoHS Compliant

Outputs

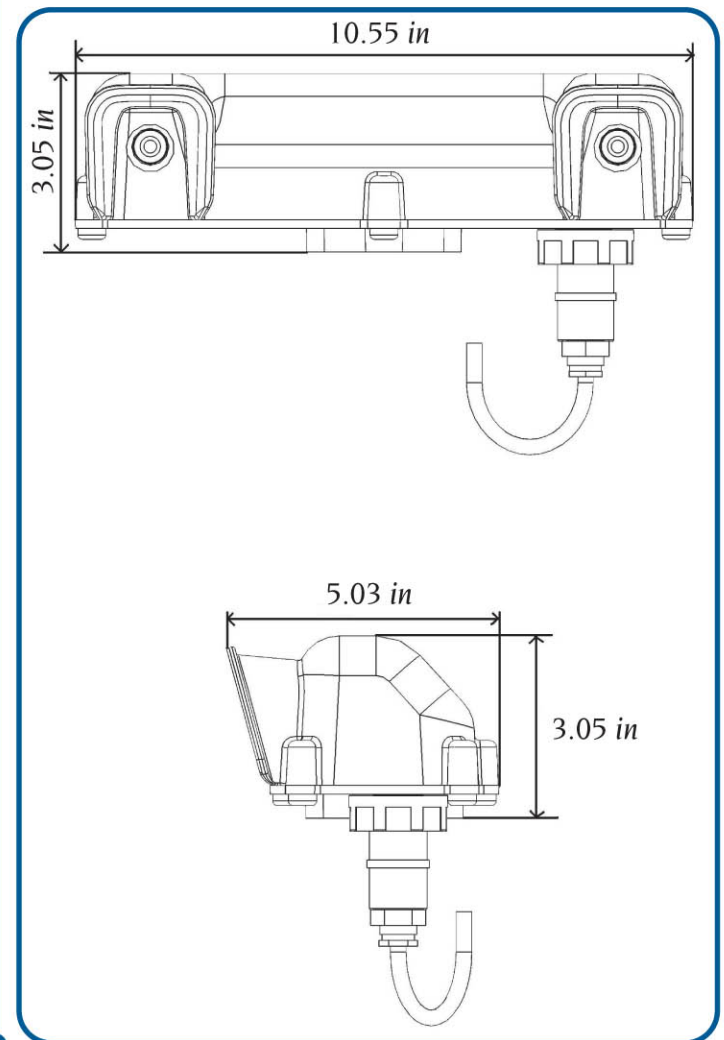
Dry Contact Form C, normally closed	
Contact Rating	0.5 A at 12 VAC, 1 A @ 24 VDC

Enclosure

Dimensions	3.1"H x 10.6"W x 5.0"D (7.8H cm x 26.8W cm x 12.8D cm)
Weight	1.6 lbs (0.7 kg)
Mounting	US – Standard ¼"-20 Thread, Euro – 6mm Thread

Thermostatically Controlled Faceplate Heaters
White, UV Resistant Housing

4 Status LEDs	Running/Comm., Output 3: On/Off, Output 2: On/Off, Output 1: On/Off
---------------	--



MADE IN THE USA



Contact a WTI applications engineer to configure a system to perfectly suit your needs.

Due to Wireless Technology, Inc.'s continuing efforts to engineer the best product, that is most responsive to our customer's needs, the above specifications are subject to change.