

# When Failure is Not an Option!



CPM1



WM1

## C-MAX

### MOUNTING OPTIONS

For the C-MAX Ultra and UltraLite Series

#### CEILING/PEDESTAL/WALL MOUNT OPTIONS, MEDIUM DUTY

The WM1 mounts to a wall or other vertical surface and features a corrosion-resistant cast-aluminum wall arm which minimizes undesired horizontal movement. The CPM1 is a pedestal/ceiling mount and can be mounted on any flat surface. In addition, the WM1 can be adapted for pole mount applications when used with the PMA1 mount adapter.

#### Features include:

- Economical.
- Indoor/Outdoor.
- Supports up to 40 Pounds (18.14 kg).
- Sturdy Construction.
- For Use with Medium Duty Enclosures.
- Fully Adjustable (360°) Swivel Head.
- Wall or Pedestal/Ceiling Mounting Applications.
- WM1 Can Be Adapted for Pole Applications with Use of PMA1 Adapter.

**WTI**<sup>®</sup>  
[www.gotowti.com](http://www.gotowti.com)  
An ISO 9001:2000 Certified Company

2064 Eastman Avenue, Suite 113 • Ventura, CA 93003-7787  
toll free 866/gotowti (468.6984) • fax 805/339.0932

# Product Information - Mounting Options

www.gotowti.com

## WTI ~ C-MAX Ultra & UltraLite Series Mounting Options

### MODELS

WM1	Medium duty wall mount for enclosures and light-to-medium weight cameras; manually adjustable swivel head.
CPM1	Medium duty ceiling/pedestal mount for enclosures and light-to-medium-weight cameras; manually adjustable swivel head.

### ADAPTER

PMA1	Pole mount adapter for WM1 mount.
------	-----------------------------------

Stainless steel straps supplied.  
Straps fit 1.5" (3.8 cm) to 8" (20.32 cm) diameter pole.

### MECHANICAL

Pan Adjustment	360°
Tilt Adjustment	75°
Camera/Enclosure Mounting	Two each 1/4-20 x 5/8" mounting bolts, split washers and flat washers.
Locking Method	3/8-16 hex head bolts

### GENERAL

#### Construction

WM1	Cast-aluminum wall arm with aluminum adjustable head.
CPM1	Aluminum billet with aluminum adjustable head.
Finish	Gray polyester powder coat
Maximum Load	40 lb (18.14 kg)

#### Unit Weight

WM1	3.05 lb (1.39 kg)
CPM1	2.60 lb (1.18 kg)
PMA1	0.86 lb (0.39 kg)

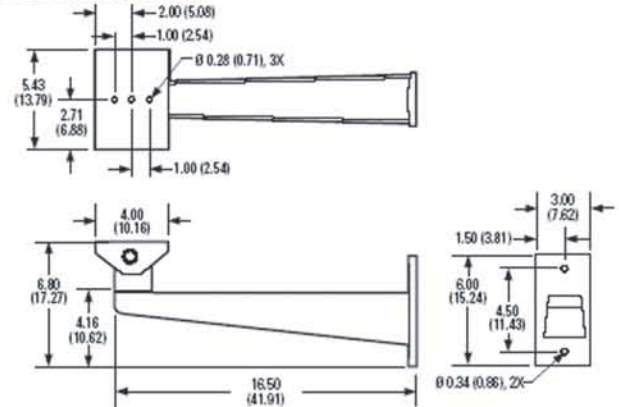
#### Shipping Weight

WM1	4 lb (1.81 kg)
CPM1	4 lb (1.81 kg)
PMA1	2 lb (0.90 kg)

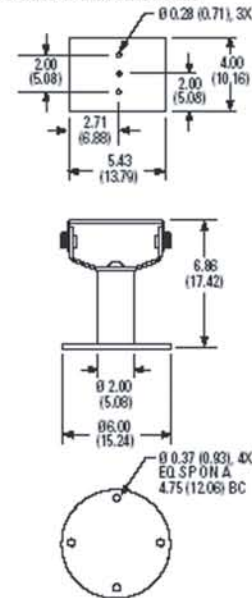
### CERTIFICATIONS

UL Listed

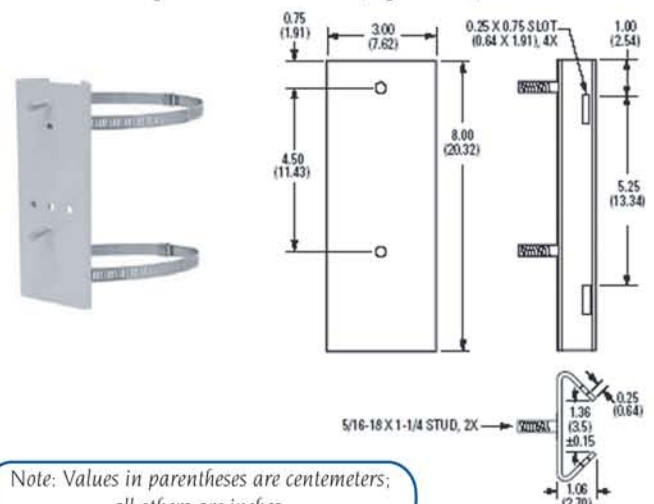
### Wall Mount Dimensions



### Ceiling/Pedestal Mount Dimensions



### Pole Mount Adapter Dimensions (Optional)



Note: Values in parentheses are centimeters; all others are inches.

MADE IN THE USA

WTI • 888/gotowti (468.6984) toll free • 805/339.9696 office • 805/339.0932 fax

Contact a WTI applications engineer to configure a system to perfectly suit your needs.

Due to Wireless Technology, Inc.'s continuing efforts to engineer the best product, that is most responsive to our customer's needs, the above specifications are subject to change.

