

When Failure is Not an Option!

T.I. Thermal **C-MAX** ULTRA SERIES 640



Forward looking infrared: For use in any application!

- | | | |
|-------------------------|------------------|----------------------|
| ⇒ Firefighting | ⇒ Intersections | ⇒ Water Treatment |
| ⇒ Search & Rescue | ⇒ Freeways | ⇒ High Rises |
| ⇒ Border Surveillance | ⇒ Parks | ⇒ Mining and Tunnels |
| ⇒ Government | ⇒ Arenas | ⇒ Airports |
| ⇒ Military Applications | ⇒ Off-Shore Rigs | ⇒ Parking |
| ⇒ Power Plants | ⇒ Sea Ports | ⇒ Bridges |

Features include:

- 640 x 480 un-cooled VOX microbolometer.
- Sees through smoke, dust and fog.
- 7.5 to 13.5 micron long wave infrared spectral band.
- Standard NTSC, 30 fps video output.



2064 Eastman Avenue, Suite 113 ● Ventura, CA 93003-7787
toll free 866/gotowti (468.6984) ● fax 805/339.0932

Product Information - C-MAX Series Thermal Camera

WTI ~ C-MAX Series: T.I. Microbolometer Thermal Imager Camera : 640

VIDEO

Sensor Type	640 (H) x 480 (V)
Sensor Pitch	25 μm x 25 μm
Wavelength Range	7.5 ~ 13.5 μm
Frame Rate	30 fps
Video Output	75 Ω analog 1 Vpp, composite B/W
NTSC or PAL	

CAMERA

Imager	7.5-13.5 micron spectral band un-cooled VOX microbolometer
Resolution	450 horizontal TV lines
Sensitivity	50 mK \geq NEdT (Noise Equivalent Delta Temperature)
Brightness	Auto/manual
Contrast	Auto/manual

OPERATIONAL

Digital Zoom	2x ~ 4x
Polarity Function	B/W (Black & White) / W/B (White & Black)
Communication Protocol	RS-232 Proprietary

ELECTRICAL

Power Options	85-265 VAC, 50/60 Hz
Power Consumption	Max. 10.5W (22W when heater on)

ENVIRONMENTAL

Temperature	-34° C to +74° C (-29° F to +165° F)
Humidity	0 to 95% relative
IP66 Rated	Dust and water proof

MECHANICAL

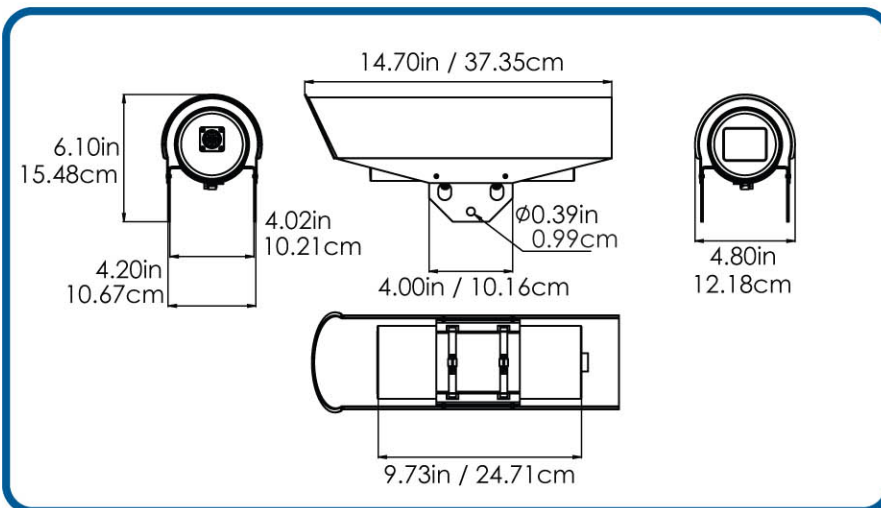
Weight	4.5 lbs. (2.1 kg) \pm 0.5 lbs.
Dimensions (nominal)	5.9" H x 4.3" W x 14.8" L (150mm x 110mm x 376mm)

Regulatory

CE EN 55011, EN 61000-6-1, FCC Part 15, Class A

Lens Options

TI-15 : 15mm : 40° H x 31° V
TI-35 : 35mm : 19.4° H x 13.6° V
TI-50 : 50mm : 12.5° H x 9.4° V
TI-75 : 75mm : 8° H x 6° V
TI-100 : 100mm : 7° H x 5° V
TI-150 : 150mm : 4° H x 3° V
TI-250/500 (custom) : 250/500mm



EXAMPLE:

How far can it see a human target?
Numbers below are for the 75mm lens option.

Target Detection Distance (1.5 Pixels) =
3667 feet (1118 meters)

Target Recognition Distance (6 Pixels) =
917 feet (279 meters)

Target Identification Distance (12 Pixels) =
458 feet (140 meters)

MADE IN THE USA

Contact a WTI applications engineer to configure a system to perfectly suit your needs.

Due to Wireless Technology, Inc.'s continuing efforts to engineer the best product, that is most responsive to our customer's needs, the above specifications are subject to change.

