

When Failure is Not an Option!



T.I. Thermal
C-MAX
ULTRA SERIES
160

Traffic management at its finest!

WTI's thermal cameras render both loops and conventional above-ground video detection obsolete! Engineered specifically for ITS applications, WTI's thermal cameras are the definitive solution for the intelligent transportation industry. WTI's line of traffic management products offers our customers powerful tools to keep traffic moving and to help keep your streets safer.

Features include:

- 160 x120 un-cooled VOX microbolometer.
- Sees through smoke, dust and fog.
- 8 to 14 micron long wave infrared spectral band.
- Standard NTSC, 30 fps video output.
- F1.2, 55° horizontal field of view.
- Seamless integration into existing traffic management systems.



www.gotowti.com
An ISO 9001:2000 Certified Company

2064 Eastman Avenue, Suite 113 ● Ventura, CA 93003-7787
toll free 866/gotowti (468.6984) ● fax 805/339.0932

Product Information - C-MAX Series Thermal Camera

WTI ~ C-MAX Series: T.I. Microbolometer Thermal Imager Camera

Camera

Imager	8-14 micron spectral band un-cooled VOX microbolometer
Resolution	225 horizontal TV lines
Effective Pixels	160x120 x4Q
Lens	F1.2,
Zoom	2x digital
Field of View	55° H x 36° V
Sensitivity	<85 mK NEΔT (Noise Equivalent Delta Temperature)

Electrical

Power Options	24 VAC 0-60 Hz (input voltage at DC, 12 to 28 VDC), 110 VAC 50/60 Hz, 220 VAC 50/60 Hz
Power Consumption	10W with heater ON, 5W with heater OFF

Environmental

Temperature	-34° C to +74° C (-29° F to +165° F)
Humidity	0 to 95% relative
IP66 Rated	Dust and water proof

Mechanical

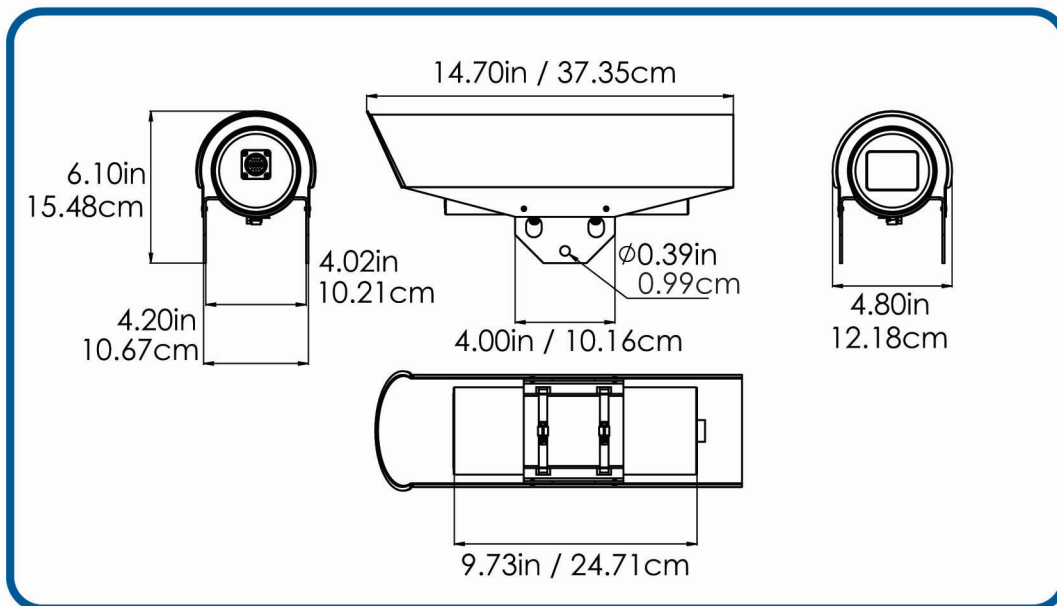
Weight	4.5 lbs. (2.1 kg) ± 0.5 lbs.
Dimensions (nominal)	5.9" H x 4.3" W x 14.8" L (150mm x 110mm x 376mm)

Regulatory

CE EN 55011, EN 61000-6-1, FCC Part 15, Class A

Video

NTSC or PAL	
Video Output	75Ω analog 1 Vpp, composite color



MADE IN THE USA



Contact a WTI applications engineer to configure a system to perfectly suit your needs.

Due to Wireless Technology, Inc.'s continuing efforts to engineer the best product, that is most responsive to our customer's needs, the above specifications are subject to change.